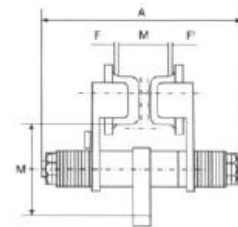
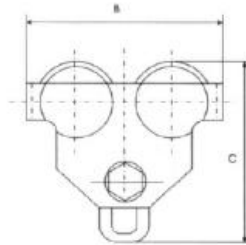
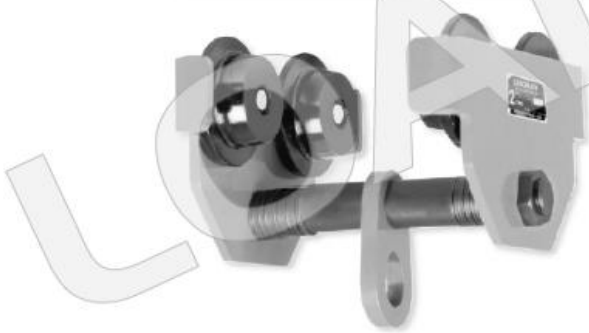


## Geared Traveling Trolley

| Model                            | 1      | 2      | 3       | 5       |
|----------------------------------|--------|--------|---------|---------|
| Rated load (T)                   | 1      | 2      | 3       | 5       |
| Test load (T)                    | 1.5    | 3      | 4.5     | 7.5     |
| Chain pull to lift full load (N) | 80     | 140    | 150     | 170     |
| Dimensions (mm)                  | A      | 280    | 318     | 340     |
|                                  | B      | 236    | 273     | 320     |
|                                  | C      | 211    | 236     | 295     |
|                                  | H      | 115    | 130     | 164     |
| I-Beam recommended               | 75-150 | 90-176 | 100-200 | 150-300 |
| Net weight (kg)                  | 14     | 16     | 24      | 36      |



## Pull-Push Traveling Trolley

| Model              | 1      | 2      | 3       | 5       |
|--------------------|--------|--------|---------|---------|
| Rated load (T)     | 1      | 2      | 3       | 5       |
| Test load (T)      | 1.5    | 3      | 4.5     | 7.5     |
| Dimensions (mm)    | A      | 242    | 280     | 300     |
|                    | B      | 236    | 273     | 320     |
|                    | C      | 211    | 236     | 295     |
|                    | H      | 115    | 130     | 164     |
| I-Beam recommended | 75-150 | 90-176 | 100-200 | 150-300 |
| Net weight (kg)    | 8.7    | 10.4   | 24      | 36      |