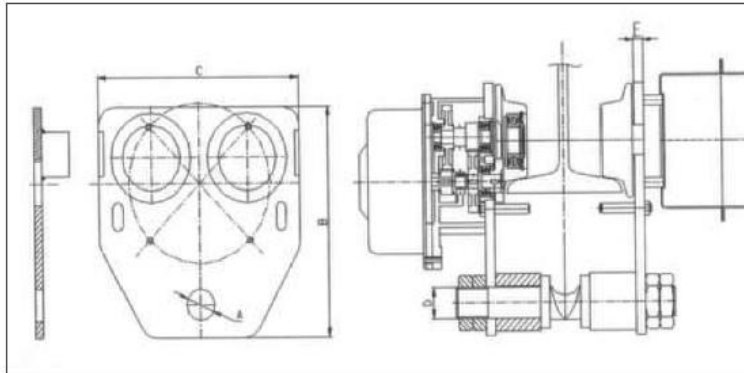
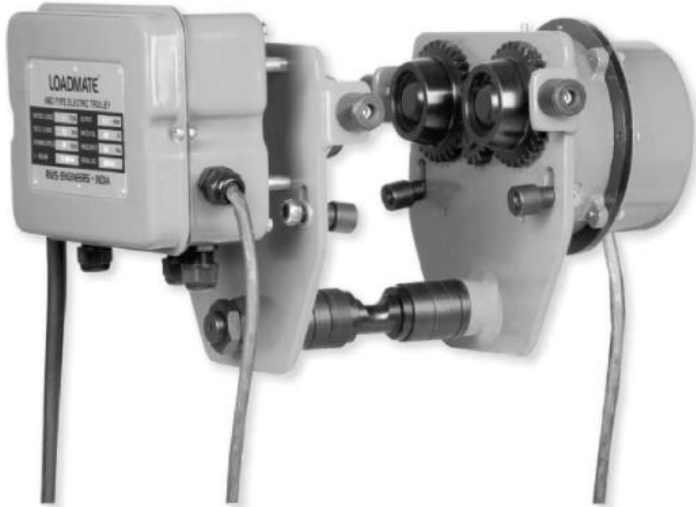




Electric Operated Traveling Trolley



Electric Trolley Parameter

Code	Rated Capacity kg	Beam Width mm	A mm	B mm	C mm	D mm	E mm	Running speed m/min	Ins Class	%ED	Net Weight kg
310	1000	75-150	27.5	265	260	27	10	20	F	40	43
320	2000	90-180	36.5	265	260	36	10	20	F	40	45
330	3000	100-200	42.5	265	260	42	12	15	F	40	47
350	5000	150-300	30.5	268	390	30x2	16	15	F	40	92